

Vertical Hydraulic Presses **Vintage**

Models:

Vintage 5 - Vintage 12 - Vintage 23

Technical description

This vertical hydraulic press is composed of a mounting plate and head made of painted steel connected by pressing cylinders. This configuration helps in making the pressing uniform and it allows to limit the size during the transport.

All its parts in contact with the product such as pressing plate, cage and juice collecting pan are made of AISI 304 stainless steel or food grade rubber.

AISI 304 stainless steel cage with laser-cut slots with different dimensions, product under reduced mechanical stress and superficial high-finishing for an easy cleaning.

AISI 304 stainless steel juice collecting pan equipped with a draining disc able to ensure a suitable drainage also in the middle of the mass. Simple and quick cage and trough loading on the machine thanks to a high tolerance in the approach angle of the forklift and to the centering system placed in the lower head.

Electric control panel in compliance with European Directives 2006/95/CE (LV) and 2004/108/CE (EMC).

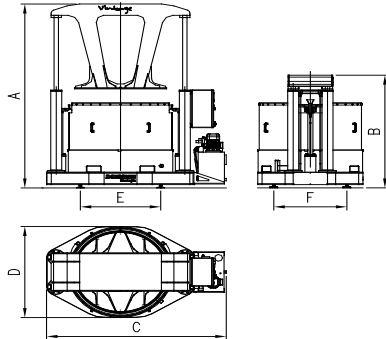
Safety devices in compliance with European Directive 2006/42/CE (Machinery).

Traditional operator terminal with integrated PLC complete with control push-button and display display for operator interface

Touch Screen. 30 installed programs included the Intelligent Program.



Technical Data **Vintage**



Vintage 5 Vintage 12 Vintage 23



		Vintage 5	Vintage 12	Vintage 23						
A	mm	2.964	2.955	3.026						
B	mm	1.827	1.825	1.895						
C	mm	1.770	2.495	2.832						
D	mm	1.080	1.440	1.850						
E	mm	990	1.100	1.400						
F	mm	568	950	1.200						
Cage capacity	lt	500	1.200	2.300						
Cage diameter	mm	900	1.280	1.700						
Cage height	mm	990	970	1.050						
Max pressure on pomace	bar	6	6	6						
Electric motor power	kW	1,5	2,2	3						
Empty weight of the press (with cage and trough)	kg	1.200	2.215	3.300						
Expected weight of full load cage and trough	kg	650	1.600	2.900						
Expected weight of full machine	kg	1.700	3.415	5.600						

N.B.

The above data is indicative and may vary according to the degree of ripeness, type of grape and filling method. All data refers to initial whole bunch weight prior to any operation like destemming, crushing, maceration, fermentation, etc.



Options **Vintage**

 available
 not available

	Vintage 5	Vintage 12	Vintage 23						
Pressing cage and juice collecting pan	✓	✓	✓						
Juice collecting pan	✓	✓	✓						
Middle drainage disc	✓	✓	✓						
Raised draining bottom	✗	✓	✓						
Press on wheels	✗	✓	✗						
Juice buffer tank	✗	✓	✓						
Special color	✓	✓	✓						
Customized Logo	✓	✓	✓						

