

## Automatic Bag in Box and Stand up Pouch filler AUTOFLOW

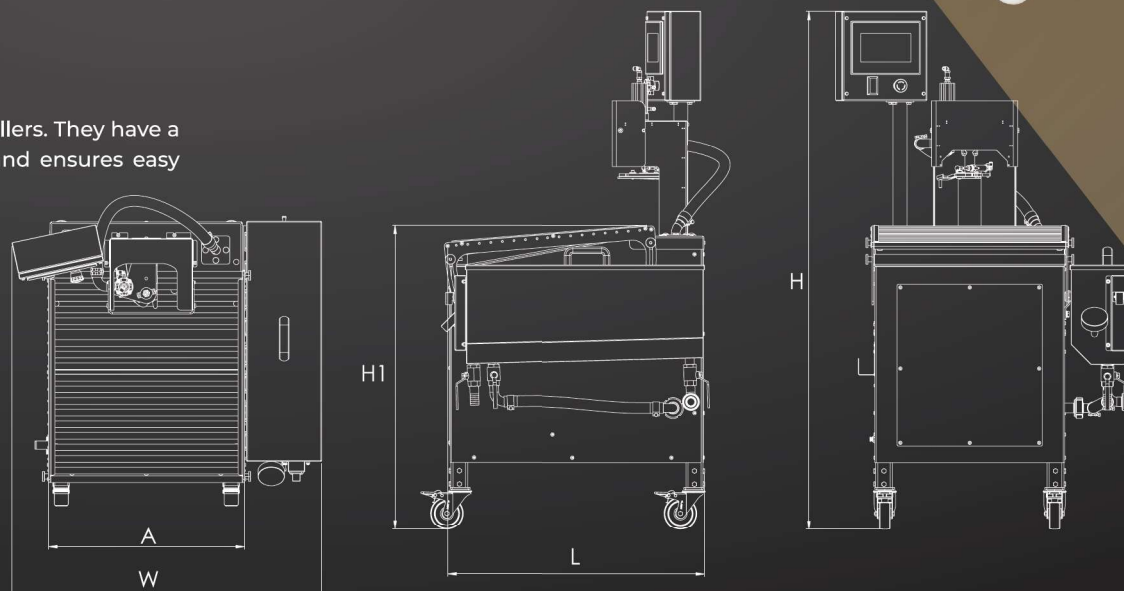
Bag in Box Filler AUTOFLOW automatically fills hot and cold liquids into Bag in Box and Stand up pouch packaging.

Machine fills packages fully automatically by pressing one button. Just insert a package into the filler and press START button – machine automatically removes the tap, vacuums the bag, fills it with liquid and closes the bag. The full filling process of 3 L bag takes ~7 seconds.

### Output – 300 pcs. of 3 L bags per hour

- AUTOFLOW filler is especially versatile. It is perfect for filling various liquids: from juice, wine, puree, milk, to broth, cream, coffee, ice cream, soap, motor oil, chemicals, etc.
- Machine fills Bag in Box bags in sizes 1–30 L, Stand up Pouch packages in sizes 0,75–5 L. As an option, it is also possible to fill 220 L bags with a special filling gun.
- Suitable for both hot and cold filling.
- The filler can have optional interchangeable filling heads. This way with one filler you can fill bags with different closures, such as tap, milk tube, screw cap, simple cap, etc.
- Laser safety mechanism protects limbs by automatically stopping & cancelling the filling process in case of an accident.
- High-quality automatic filling head provides stable and smooth filling process.
- The filler can have an optional detachable buffer tank for hot filling. It is mounted conveniently on the side of the machine for better inspection and easier washing process. The buffer tank also reduces liquid foaming during hot filling process.
- The buffer tank has an integrated liquid level control inside for regulation of overspill and level in the tank. Buffer tank also comes with a connection to our pasteurizer.
- Error of volume repeatability is just  $\pm 0,5 \%$ .
- Filler comes with a touchscreen panel and multi-language menu.

We also offer pasteurizers which work in perfect synergy with our Bag in Box fillers. They have a special connection between them which prevents liquid from overflowing and ensures easy work.



Output	3 l bag/h	$\pm 300$
L	mm	785
W	mm	940
H	mm	1570 (+100 mm)
H1	mm	920 (+100 mm)
A	mm	593
Weight	kg	125
Supply source	kW	1.6
Supply voltage	V	230 VAC 50 Hz