

## TECNOVA PNEUMATIC PRESSES

### Models

- Tecnova 40
- Tecnova 50
- Tecnova 65
- Tecnova 80
- Tecnova 115
- Tecnova 150

### Technical description

Horizontal pneumatic press with side membrane certified in accordance with the European Directive 97/23/CE (PED), with slotted AISI 304 stainless steel tank.

High draining surface thanks to a high slots number placed along the surface.

Pressing membrane consisting of heavy fabric coated with a food grade polymer, it inflates totally even in the absence of product, no minimum load required. Quick fastening system without perforation of the membrane.

Machine equipped with automatic axial feed valve complete with pressure switch and safety rupture disc against over-pressures.

Frame entirely made of AISI 304 stainless steel with large juice collecting pan. Frame for models TECNOVA 115 and TECNOVA 150 is entirely made of painted steel, stainless steel frame is an option.

Stainless steel covers and electric control panel in compliance with European Directive 2006/95/CE (LV) and 2004/108/CE (EMC).

Machine equipped with compressor for membrane inflation and blower for vacuum; a second compressor is provided for control air. Models TECNOVA 115 and TECNOVA 150 are not equipped with compressors, they are an option. Safety side protection and emergency button for user's safety. This machine meets European Directive 2006/42/CE (Machinery).

### Automation

Simple and user-friendly operator interface with "Touch-Screen" to easily access to programming pages. It allows the management and programming of all working cycles and monitoring of the working cycle and press status.

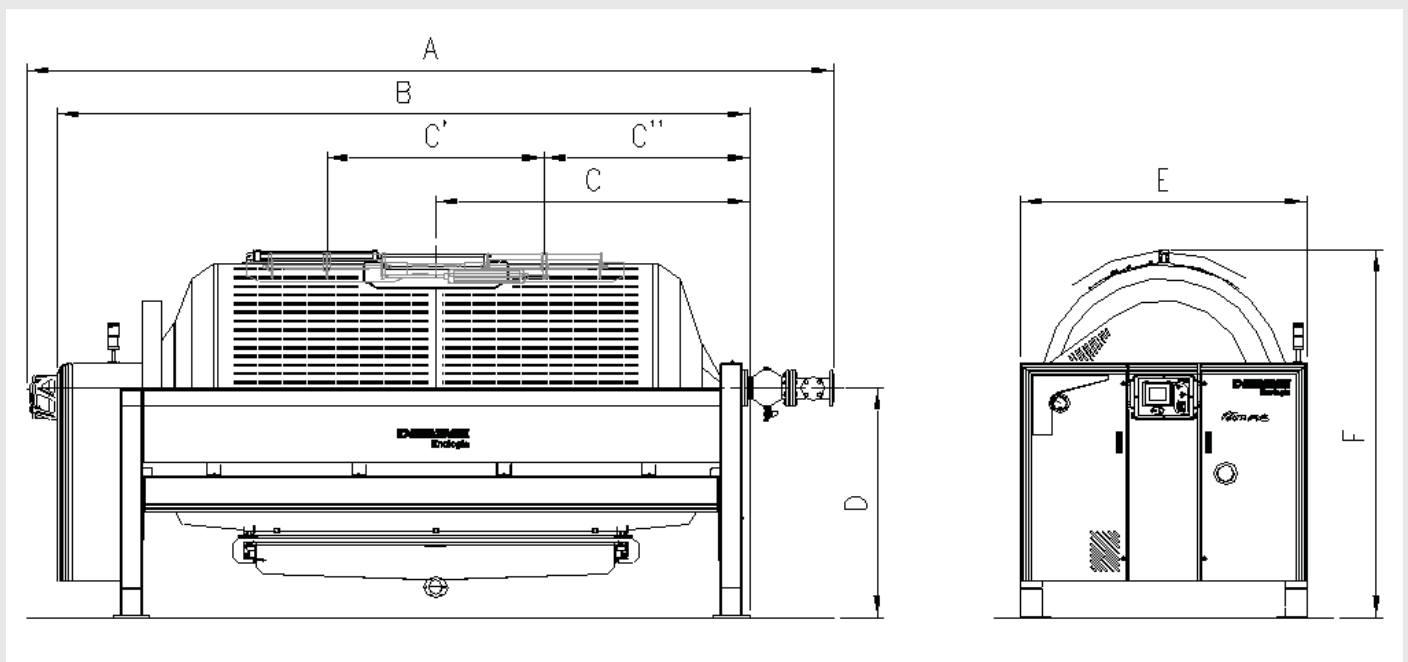
16 programs are stored in the PLC and a "rocking" system for tank oscillation. The touch screen control panel is mounted on a stainless steel support which allows adjustment in inclination to give the best visibility all of the time. The panel can be easily dismantled from the press in order to protect it during periods of prolonged inactivity.

| OPTIONS                           | TECNOVA<br>40 | TECNOVA<br>50 | TECNOVA<br>65 | TECNOVA<br>80 | TECNOVA<br>115 | TECNOVA<br>150 |
|-----------------------------------|---------------|---------------|---------------|---------------|----------------|----------------|
| Double door                       | X             | ●             | ●             | ●             | ●              | ●              |
| DN125 manual axial feeding        | ●             | X             | X             | X             | X              | X              |
| DN125 automatic axial feeding     | ●             | standard      | standard      | standard      | ●              | ●              |
| DN 150 automatic axial feeding    | X             | X             | X             | X             | standard       | standard       |
| Stainless steel raised feet       | ●             | ●             | ●             | ●             | X              | X              |
| Painted steel raised feet         | X             | X             | X             | X             | ●              | ●              |
| Mimic panel                       | ●             | ●             | ●             | ●             | ●              | ●              |
| Compressor for membrane inflation | standard      | standard      | standard      | standard      | ●              | ●              |
| Auxiliary compressor              | ●             | standard      | standard      | standard      | ●              | ●              |
| Manual wheels                     | ●             | ●             | ●             | ●             | X              | X              |
| Motorized wheels                  | ●             | ●             | ●             | ●             | ●              | ●              |
| Level probe                       | ●             | ●             | ●             | ●             | ●              | ●              |
| FIP Intelligent program           | ●             | X             | X             | X             | ●              | ●              |

● available

X not available

## Drawing



| <b>TECHNICAL DATA</b>                   | <b>TECNOVA 40</b> | <b>TECNOVA 50</b> | <b>TECNOVA 65</b> | <b>TECNOVA 80</b> | <b>TECNOVA 115</b> | <b>TECNOVA 150</b> |
|---|-------------------|-------------------|-------------------|-------------------|--------------------|--------------------|
| A (mm)                                  | 5.066             | 5.565             | 5.602             | 5.562             | 7.018              | 7.579              |
| B (mm)                                  | 4.216             | 4.716             | 4.828             | 4.883             | 6.207              | 6.767              |
| C (mm)                                  | 1.810             | 2.060             | 2.140             | 2.168             | 2.708              | 2.992              |
| C' (mm)                                 | -                 | 1.250             | 1.250             | 1.500             | 2.400              | 3.000              |
| C'' (mm)                                | -                 | 1.434             | 1.513             | 1.418             | 1.580              | 1.490              |
| D (mm)                                  | 1.450             | 1.450             | 1.576             | 1.575             | 1.888              | 1.888              |
| E (mm)                                  | 1.789             | 1.789             | 1.983             | 2.019             | 2.279              | 2.279              |
| F (mm)                                  | 2.222             | 2.222             | 2.450             | 2.520             | 2.892              | 2.978              |
| Tank volume (lt)                        | 4.000             | 5.000             | 6.500             | 8.000             | 11.500             | 15.000             |
| Door dimension (mm)                     | 900x500           | 1.100x500         | 700x550           | 700x550           | 700x550            | 800x600            |
| Empty weight (kg)                       | 2.000             | 2.200             | 2.700             | 3.000             | 5.200              | 6.000              |
| Full weight (kg)                        | 6.000             | 7.200             | 9.200             | 11.000            | 16.700             | 21.000             |
| Installed power (kW/50Hz)               | 10,7              | 12,5              | 13,5              | 15,2              | 8,5                | 10,5               |
| Whole bunch capacity (kg)               | 2.500             | 3.100             | 4.000             | 5.000             | 7.000              | 9.000              |
| Destemmed/ crushed grapes capacity (kg) | 8.000             | 10.000            | 13.000            | 16.000            | 23.000             | 30.000             |
| Fermented and drained capacity (kg)     | 12.000            | 15.000            | 19.500            | 24.000            | 34.500             | 45.000             |

P.S. The above data is indicative and may vary according to the degree of ripeness, type of grape and filling method. All data refers to initial whole bunch weight prior to any operation like destemming, crushing, maceration, fermentation, etc.