

## VINTAGE VERTICAL HYDRAULIC PRESSES

### Models

- Vintage 5
- Vintage 12
- Vintage 23

### Technical description

This vertical hydraulic press is composed of a mounting plate and head made of painted steel connected by pressing cylinders. This configuration helps in making the pressing uniform and it allows to limit the size during the transport.

All its parts in contact with the product such as pressing plate, cage and juice collecting pan are made of AISI 304 stainless steel or food grade rubber.

AISI 304 stainless steel cage with laser-cut slots with different dimensions, product under reduced mechanical stress and superficial high-finishing for an easy cleaning.

AISI 304 stainless steel juice collecting pan equipped with a draining disc able to ensure a suitable drainage also in the middle of the mass. Simple and quick cage and trough loading on the machine thanks to a high tolerance in the approach angle of the forklift and to the centering system placed in the lower head.

Electric control panel in compliance with European Directives 2006/95/CE (LV) and 2004/108/CE (EMC).

Safety devices in compliance with European Directive 2006/42/CE (Machinery).

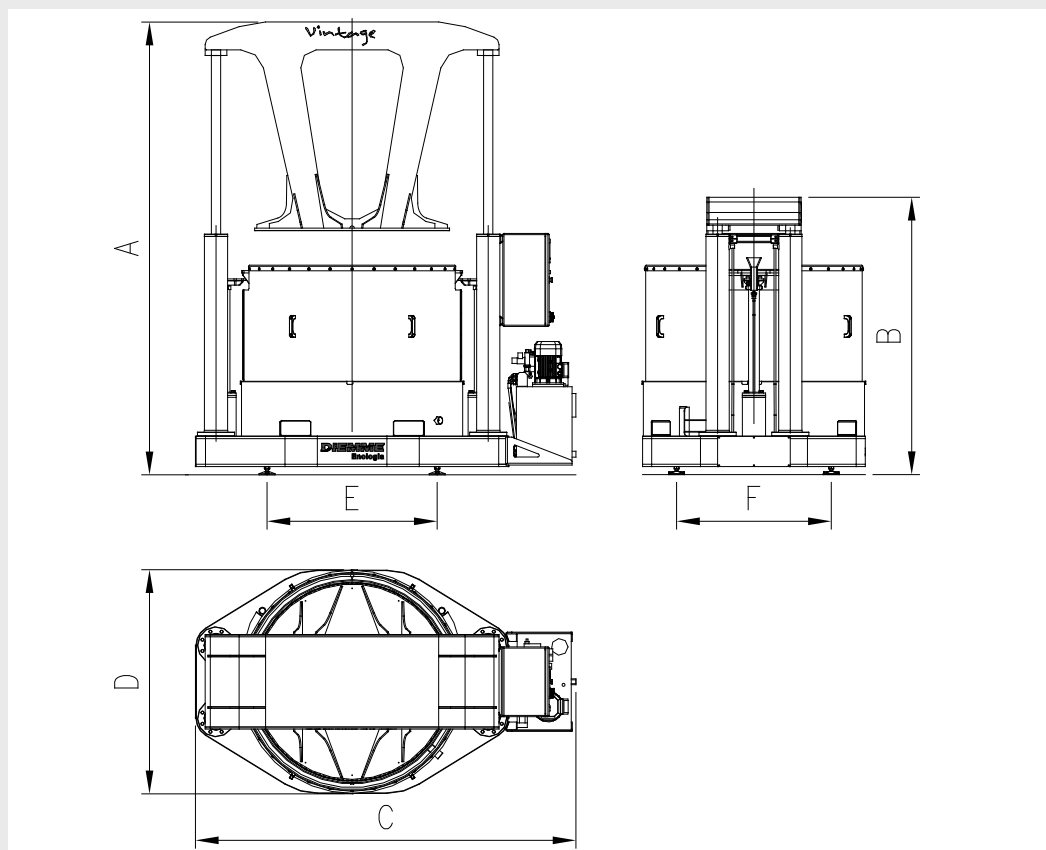
Traditional operator terminal with integrated PLC complete with control push-button and display.

OPTIONS	VINTAGE 5	VINTAGE 12	VINTAGE 23
Pressing cage and juice collecting pan	●	●	●
Juice collecting pan	●	●	●
Middle drainage disc	●	●	●
Raised draining bottom	X	●	●

● available

X not available

## Drawing



TECHNICAL DATA	VINTAGE 5	VINTAGE 12	VINTAGE 23
A (mm)	2.964	2.920	3.008
B (mm)	1.827	1.790	1.877
C (mm)	1.770	2.460	2.817
D (mm)	1.080	1.440	1.850
E (mm)	990	1.100	1.400
F (mm)	568	1.000	1.200
Cage capacity (lt)	500	1.200	2.300
Cage diameter (mm)	900	1.280	1.700
Cage height (mm)	990	970	1.050
Max pressure on pomace (bar)	6	6	6
Electric motor power (kW/50Hz)	1.5	1.5	3
Empty weight of the press (with cage and trough) (kg)	1.200	2.215	3.300
Expected weight of full load cage and trough (kg)	650	1.600	2.704
Expected weight of full machine (kg)	1.700	3.415	5.600